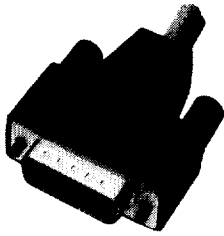


### HDP-20 Shielding Hardware Enclosure Kits



#### Each Kit Contains:

- Connector
- Inner shield
- Outer shield
- Enclosure
- Two jackscrews

Contacts and ferrules must be purchased separately.

#### Material and Finish:

**Connector Shells**—Steel, tin plated.

**Connector Insert**—94V-0 rated thermoplastic, black

**Shield**—Steel, tin plated

**Enclosure**—PVC, black

**Jackscrews**—Zinc alloy

#### Related Product Data:

**Contacts**—page 1043

**Ferrules**—page 1024

#### Mateable Connectors:

**HDE**—pages 1026-1032

**HDF**—pages 1034-1038

**HDP**—pages 1039-1043

**HDP Solder Cup**—pages 1044-1046

**HD-20 Board Mount**—pages 1069-1094

**Mating Hardware**—pages 1058-1065

#### Technical Documents:

##### Product Specifications

108-40005, 108-40030

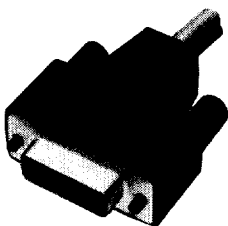
##### Application Specifications

114-10000, 114-40030

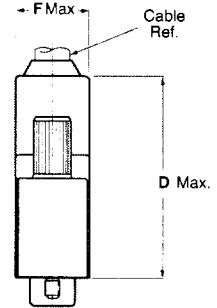
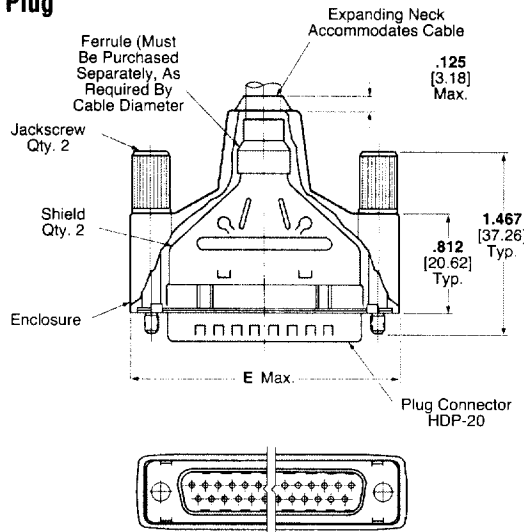
##### Instruction Sheet

408-9172

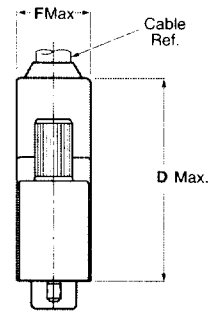
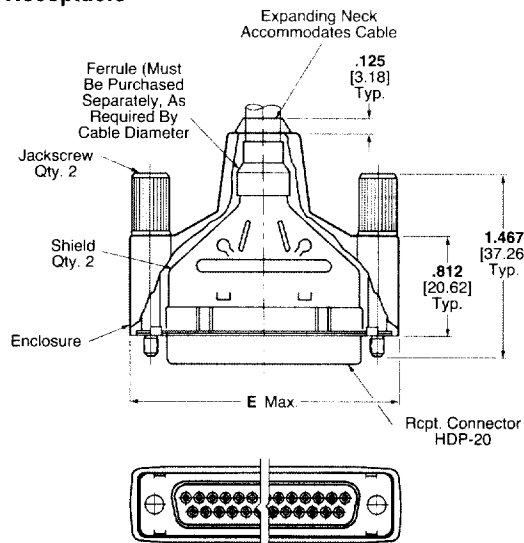
**Note:** Instruction Sheets for AMP Tooling are packaged with the tooling. For additional information call the Technical Support Center **1-800-522-6752**.



#### Plug



#### Receptacle



Shell Size	No. of Contact Positions	Dimensions			Recommended Cable Insulation Diameter	Max. Cable Dia.†	Insert Material	Kit Numbers		Shielding Enclosure Expansion Tool	
		D	E	F				Plug	Receptacle	Cable O.D. (Max.)	Part Number
1	9	1.660	1.355	.630	.190-.375	.350	94V-0	747952-1	747951-1	.355	58241-4
		42.16	34.42	16.00	4.83-9.53	8.89					
2	15	1.660	1.685	.630	.190-.375	.350	94V-0	747954-1	747953-1	9.02	
		42.16	42.80	16.00	4.83-9.53	8.89					
3	25	1.660	2.210	.630	.217-.435	.350	94V-0	747956-1	747955-1	.455	58241-1
		42.16	56.13	16.00	5.51-11.05	8.89					
4	37	2.010	2.865	.730	.338-.562	.450	94V-0	747958-1	747957-1	.562	58241-2
		51.05	72.77	18.54	8.59-14.28	11.43					
5	50	2.010	2.775	.730	.338-.562	.450	94V-0	747960-1	747959-1	14.28	
		51.05	70.49	18.54	8.59-14.28	11.43					

**Notes:** 1. Plugs accept size 20 DF pin contacts and receptacles accept size 20 DF socket contacts.  
2. Components of the kits are shipped unassembled and bulk-packaged in quantities of 100 pieces.  
†Maximum cable diameter after jacket and braid removed.

For complete product information, order Catalog 82068